
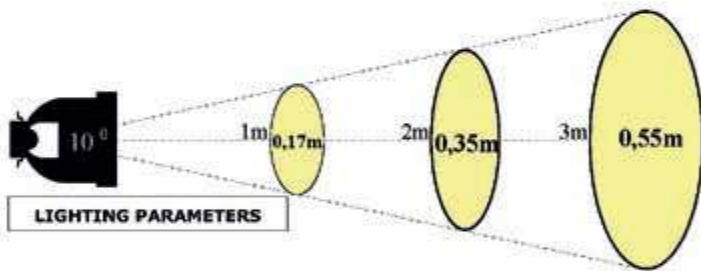
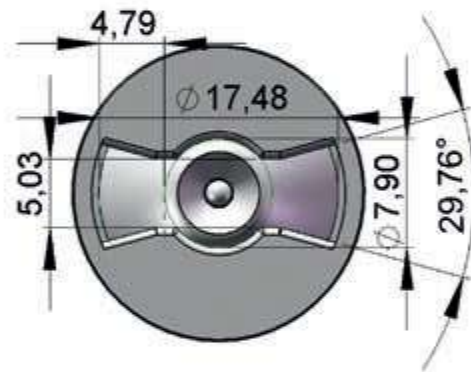
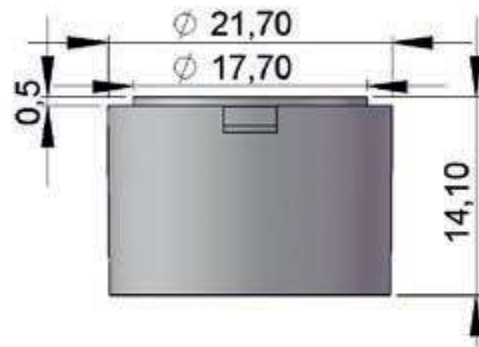
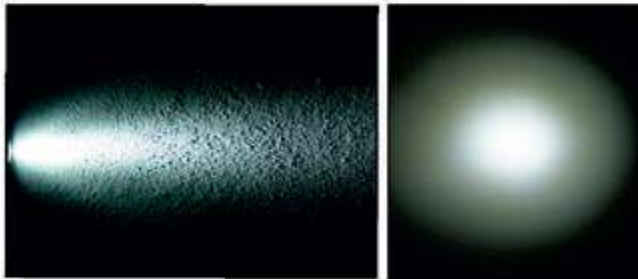




<b>ANGLE</b>	<b>CODE</b>	<b>Holder Colour</b>
10°	10DH1B	Black 



<b>BOX QUANTITY</b>	100 * 8 = 800 P C S
<b>BOX SIZE</b>	24*24*14 cm
<b>BOX WEIGHT</b>	3,630 Kg



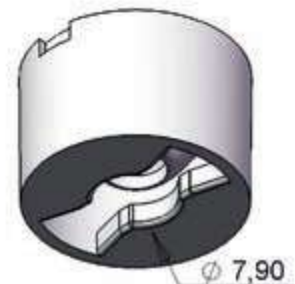
**TURLENS USE :** Street Lighting , Office Lighting , Home Lighting , Stage Lighting , Architectural Lighting , Down Light Lighting , Decorative Lighting

**Lens INFO**

- Lens Material : Optical Grade Best Available Optical Efficiency
- Lens Material : with high UV & Temperature Resistance -40°C ~ + 100°C
- Lens Material : Light Transmittance High Productivity with 2mm Thickness

**Housing & Holder**

- Holder Colour : Black - White
- Holder Material : Operating Temperature -40°C ~ + 120°C
- Holder Material : PCV2 & ROHS - Flame : High Heat Resistance
- Holder Material : UV Allows use of High Current and Temperature Conditions



**WARNING :** If you Decide to use Glue only, Please Take Special Care of Correct Positioning